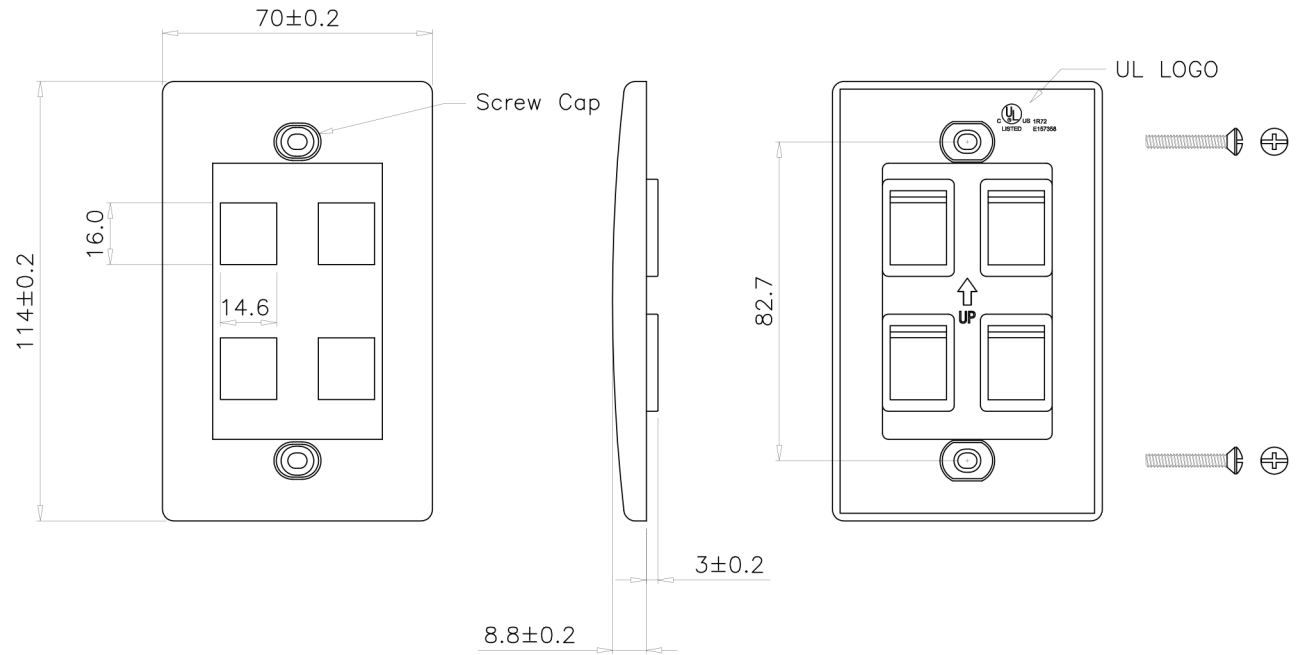


SCALE 1/2



Specification :

1. Material : ABS UL 94V-0.
2. Screw : 6 # x 25.
3. Screw Caps : ABS UL 94V-0.

GENERAL TOLERANCE OF DIMENSIONS x.xxx ±0.005 x.xx ±0.05 x.x ±0.1	DRAWING	25.FEB.2004	Nick	CannEX
	CHECK	25.FEB.2004	YTY	
	APPROVAL	25.FEB.2004	Magic	
	DATE	NAME	ITEM NO.:	NTL-P4-WH
SCALE	1/2 (A4)	UNIT	mm	DES.: Flush Plate, 4 Port, Vertical
	DRAWING NO.	NTL-P4-WH		SHEET 1 OF 1
	DRAWING CLASSIFICATION	S		